

MAWL<sup>®</sup> -DA is a modular aiming laser for individual weapons designed to improve weapons handling ergonomics, illumination quality, and user interface over traditional laser aiming devices. The MAWL<sup>®</sup> -DA laser is suited for combat applications in the widest array of environments, from CQB distances to 1000m+.

## ERGONOMIC

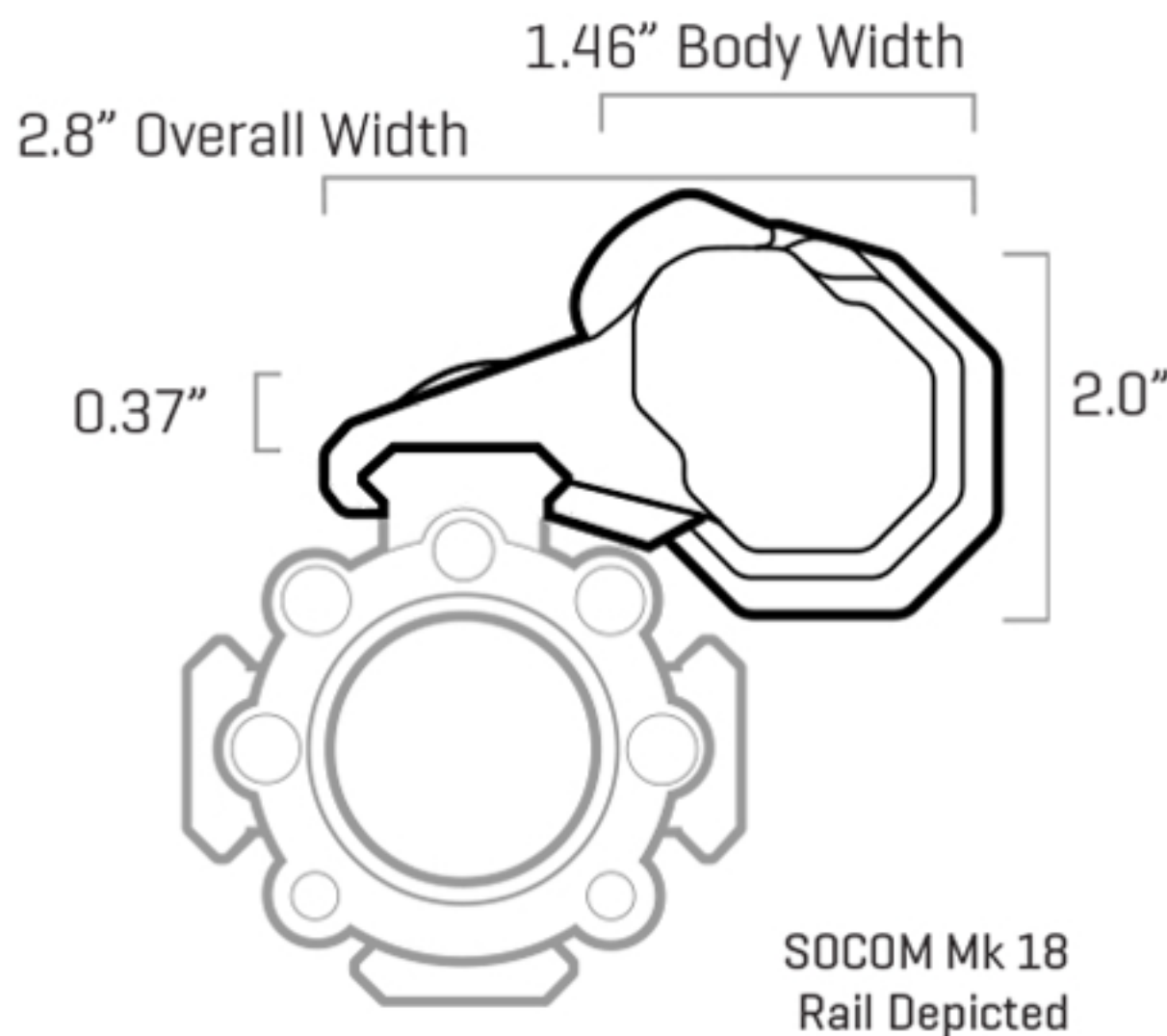
The MAWL<sup>®</sup> -DA laser is designed for efficient use of space and improved form-fit-feel over current systems. The activation button is low-profile, only 0.37" above the top rail, and the bulk of the system is moved off-axis from the user's grip.

## INTUITIVE

The MAWL<sup>®</sup> -DA laser simplifies and accelerates setting selection with a three-position range switch. Each setting matches an environment and situation and adjusts output power and divergence accordingly.

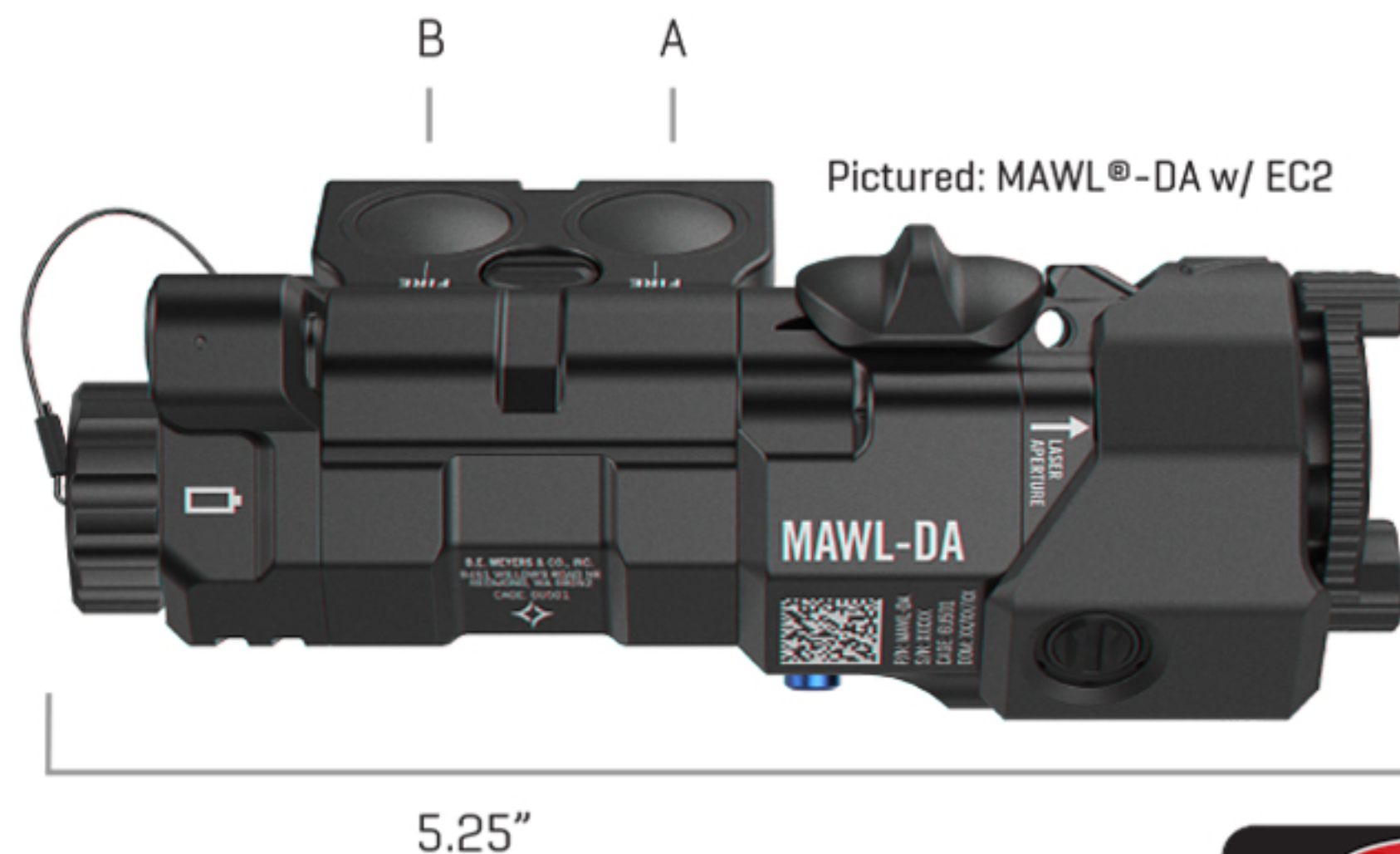
## MODULAR

The MAWL<sup>®</sup> -DA laser is a fully ambidextrous and modular system adaptable to different mounting and operational requirements. The central housing unit, endcap, and laser head can be easily removed and reconfigured.



## NOMINAL CHARACTERISTICS

Part Number	MAWL <sup>®</sup> -DA
Dimensions	5.25" L x 2.8" W x 2" H
Displaced Volume	9 in <sup>3</sup>
Weight	10.4 oz including battery
Housing Material	6061-T6 Type II Anodized Aluminium
Power	One [1] 3V CR123A Battery
Output Modes	Off // Vis // IR - Short / Mid / Long
Environmentally Sealed	MIL-STD-810G Compliant
Operational Temperature	-20°C to 50°C
Storage Temperature	-40°C to 70°C
Azimuth & Elevation Adjustment	Yes - 0.3 mrad / 1.03 MOA per click
<b>INFRARED [860 nm]</b>	
IR Pointer Output	
Short Range	<b>A</b> 0.7 mW <b>B</b> 0.7 mW
Mid Range	<b>A</b> 10 mW <b>B</b> 10 mW
Long Range	<b>A</b> 10 mW <b>B</b> 15 mW
IR Pointer Divergence	0.5 mrad
IR Illuminator Output	
Short Range	<b>A</b> 40 mW at 60° <b>B</b> 5 mW at 60°
Mid Range	<b>A</b> 150 mW at 16° & 40 mW at 4° <b>B</b> 40 mW at 16° & 80 mW at 4°
Long Range	<b>A</b> 150 mW at 4° <b>B</b> n/a
<b>VISIBLE - GREEN [520 nm]</b>	
Visible Pointer Output	
Short Range	<b>A</b> 5 mW <b>B</b> 1 mW range
Mid Range	<b>A</b> 25 mW <b>B</b> 10 mW range
Long Range	<b>A</b> 25 mW <b>B</b> 6 Hz Pulse at 25 mW
Visible Pointer Divergence	0.5 mrad



All products displayed are subject to U.S. Law and ITAR and require a license from the Department of State for export.